

DPG SERIES

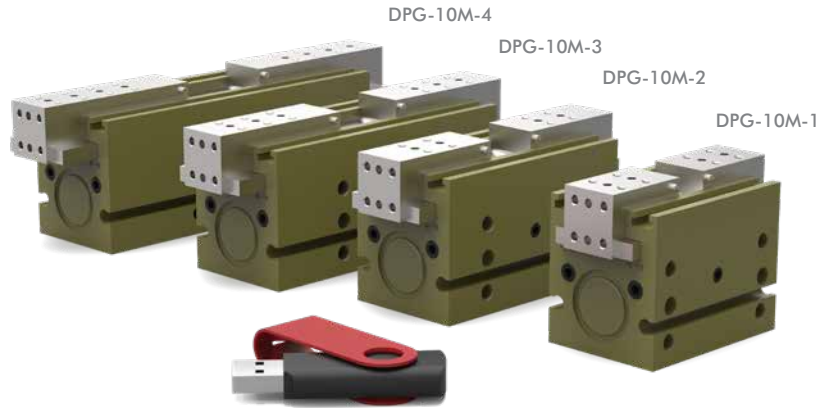
2-Jaw General Industrial Grippers | Features and Benefits | How To Order

Features:

- Rugged general purpose modular gripper
- Multi-position sensing up to 4 locations
- Shielded gripper to repel metal chips and particulates
- Spring assist option maintains grip in case of air pressure loss
- Synchronous or non-synchronous jaw operation
- Multiple air ports support manifold interface using O-rings
- Two finger mounting surfaces on each jaw

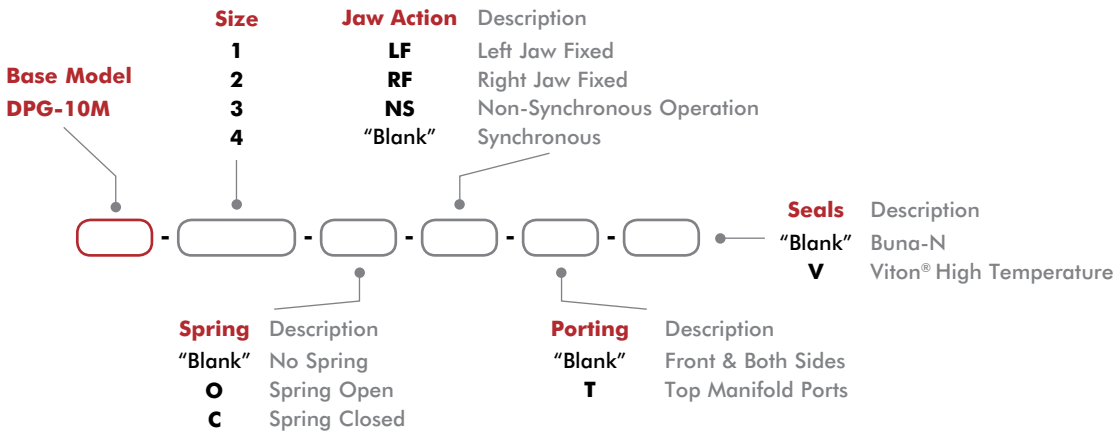
Applications:

- CNC Machining applications
- Chip and dry particulate harsh environments
- Non-synchronous jaw or fixed jaw clamp operations



(USB key shown for scale)

How To Order



2-Jaw General Industrial Grippers | How To Order, Technical Specifications

| Sensor Accessories | Model Numbers | Part Number | Qty/Unit |
|--|---------------|-------------|----------|
| Inductive Sensor Mounting Kit (Mounts 2 Sensors) | All Models | OSMK-097 | 1-2 |
| NPN Inductive Sensor with Qk. Disconnect* | All Models | OISN-019 | 1-4 |
| PNP Inductive Sensor with Qk. Disconnect* | All Models | OISP-019 | 1-4 |
| NPN Magneto Resistive Sensor w/Qk. Disconnect* | All Models | OHSN-017 | 1-4 |
| PNP Magneto Resistive Sensor w/Qk. Disconnect* | All Models | OHSP-017 | 1-4 |
| NPN Magneto Resistive Sensor (90°) w/Qk. Disconnect* | All Models | OHSN-011 | 1-4 |
| PNP Magneto Resistive Sensor (90°) w/Qk. Disconnect* | All Models | OHSP-011 | 1-4 |
| Quick Disconnect Cable (2 meters long)* | All Models | CABL-010 | 1-4 |
| Quick Disconnect Cable (5 meters long)* | All Models | CABL-013 | 1-4 |
| Quick Disconnect Cable Extension Cord (1 meter long)* | All Models | CABL-015 | 1-4 |
| Quick Disconnect Cable Extension Cord (2 meters long)* | All Models | CABL-016 | 1-4 |

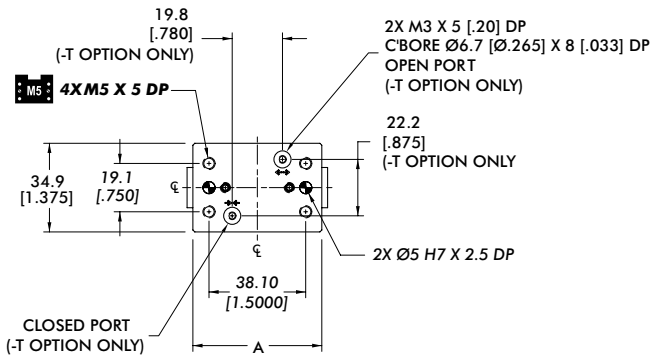
| Pneumatic Accessories | Model Numbers | Part Number | Qty/Unit |
|--|---------------|-------------|----------|
| Buna-N Seal Repair Kit | All Models | SLKT-183 | 1 |
| Viton® Seal Repair Kit | All Models | SLKT-183V | 1 |
| -T Plumbing Fitting - M3 male to 3mm OD Tube Push-in Style | All Models | PLFT-021 | 1-2 |
| -T Plumbing Fitting - M3 male to 2mm ID Tube Barb Style | All Models | PLFT-022 | 1-2 |
| Fail Safe Valve - M5 (Metric) | All Models | OFSV-004 | 1 |
| Adjustable Flow Control (Metric) | All Models | VLVF-008 | 1-2 |
| Top Port Manifold Seal Kit | All Models | SLKT-184V | 1 |

*Sensor and cable sold separately.

Specifications

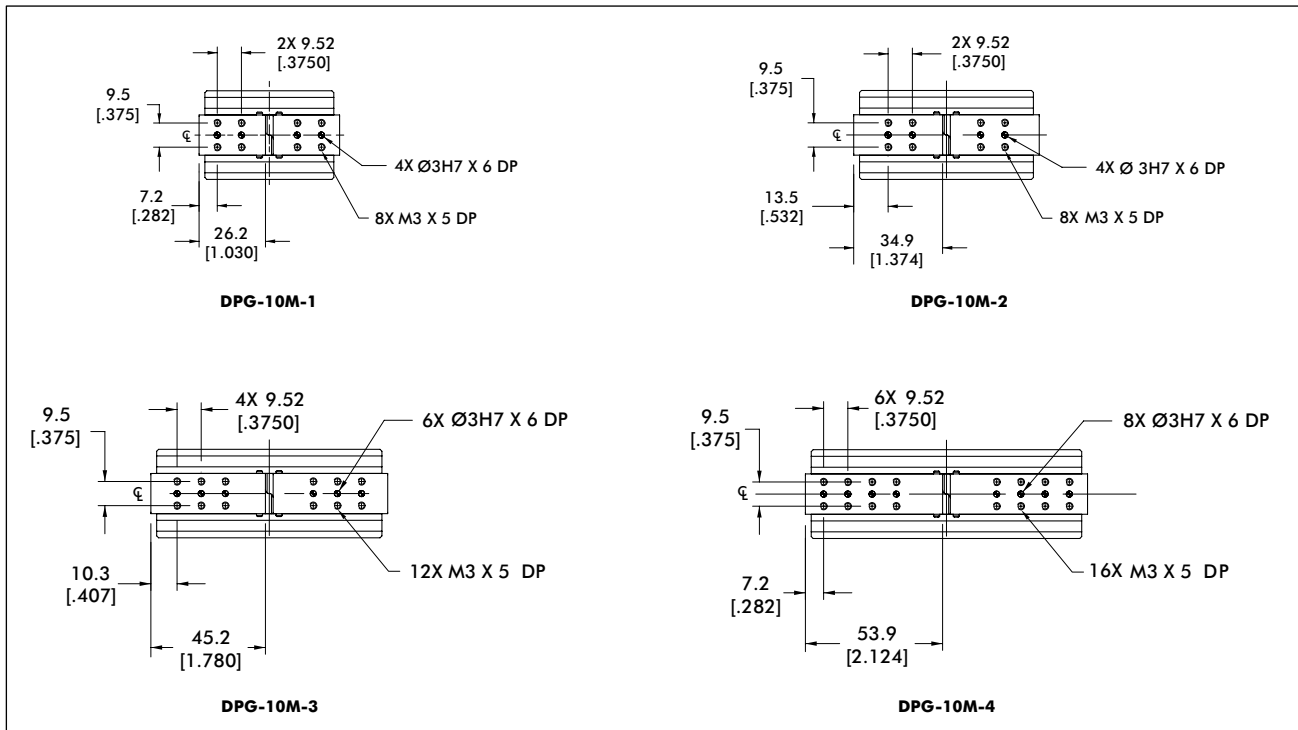
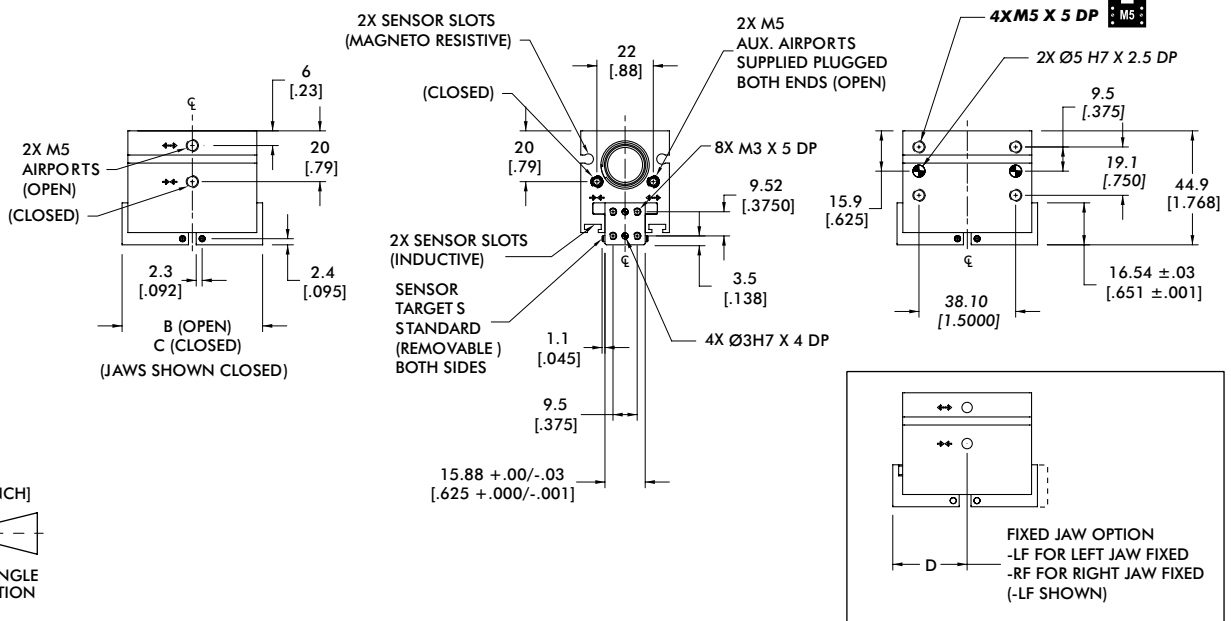
| Specifications | Units | 10M-1 | 10M-2 | 10M-3 | 10M-4 |
|---|------------------------------------|-----------------------|-------------|----------------|-------------|
| Total Rated Grip Force F @ 100 psi [7 bar] | N [lbs] | 222 [50] | | | |
| Total Stroke | mm [in] | 6.4 [0.25] | 12.7 [0.50] | 19.1 [0.75] | 25.4 [1.00] |
| Weight | kg [lbs] | 0.17 [0.39] | 0.24 [0.53] | 0.68 [0.30] | 0.81 [0.36] |
| Pressure Range (without spring) | bar [psi] | 3-7 [40-100] | | | |
| Pressure Range (with spring) | bar [psi] | 1.4-7 [20-100] | | 3.4-7 [50-100] | |
| Ingress Protection Class (IP) | | IP54 | | | |
| Displacement | cm ³ [in ³] | 1.2 [0.076] | 2.5 [0.153] | 3.8 [0.230] | 5.0 [0.306] |
| Temperature Range (Buna-N seals) | °C [°F] | -35°~80° [-30°~180°] | | | |
| Temperature Range (Viton® seals) | °C [°F] | -30°~150° [-20°~300°] | | | |
| Actuation | sec | 0.13 | 0.19 | 0.29 | 0.40 |
| Accuracy | mm [in] | ±0.05 [±0.002] | | | |
| Repeatability | mm [in] | ±0.05 [±0.002] | | | |
| Valve to Actuate Double Acting | | 4-way, 2-position | | | |

2-Jaw General Industrial Grippers | Dimensions and Technical Specifications

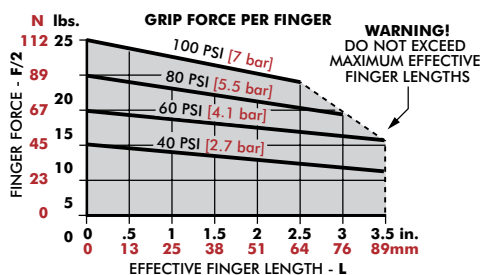


| Model | A | B | C | D |
|-----------|--------------|------------|------------|-----------|
| DPG-10M-1 | 50.8 [2.000] | 62 [2.44] | 55 [2.18] | 29 [1.15] |
| DPG-10M-2 | 68.3 [2.688] | 86 [3.38] | 73 [2.87] | 37 [1.45] |
| DPG-10M-3 | 88.9 [3.500] | 113 [4.44] | 94 [3.68] | 56 [2.20] |
| DPG-10M-4 | 106 [4.188] | 137 [5.38] | 111 [4.37] | 62 [2.43] |

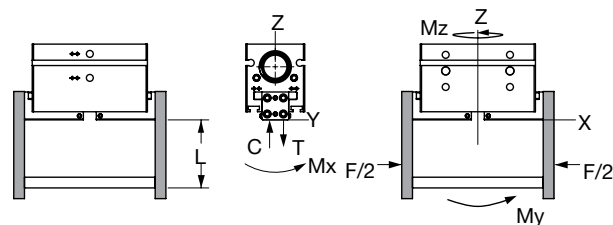
Dimensions in mm [in]



2-Jaw General Industrial Grippers | Loading Capacity

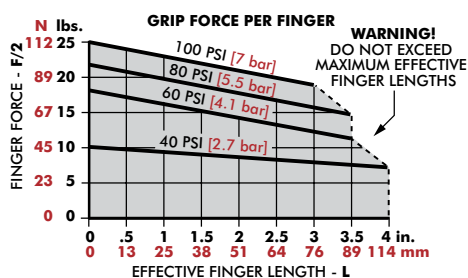


| Total Additional Grip Force | Spring Open | Spring Close |
|-----------------------------|---------------|--------------|
| @ Full Open | 26 N [6 lbs] | 40 N [9 lbs] |
| @ Full Close | 49 N [11 lbs] | 26 N [6 lbs] |

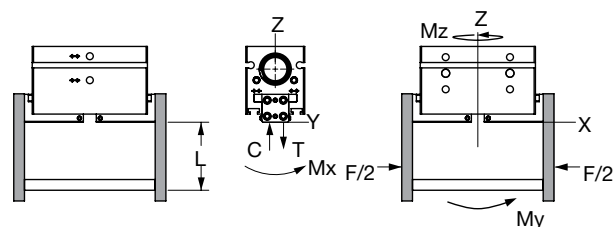


| DPG-10M-1 | Static | Dynamic |
|-------------------------------------|--------------------|------------------|
| Maximum Tensile T | 778 N [175 lbs] | 89 N [20 lbs] |
| Maximum Compressive C | 1779 N [400 lbs] | 89 N [20 lbs] |
| Maximum Moment M_x | 17 Nm [150 in-lbs] | 2 Nm [20 in-lbs] |
| Maximum Moment M_y | 20 Nm [175 in-lbs] | 3 Nm [30 in-lbs] |
| Maximum Moment M_z | 17 Nm [150 in-lbs] | 2 Nm [20 in-lbs] |

*Capacities are per set of jaws and are not simultaneous

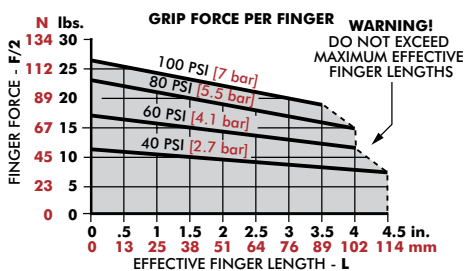


| Total Additional Grip Force | Spring Open | Spring Close |
|-----------------------------|---------------|---------------|
| @ Full Open | 26 N [6 lbs] | 62 N [14 lbs] |
| @ Full Close | 66 N [15 lbs] | 26 N [6 lbs] |

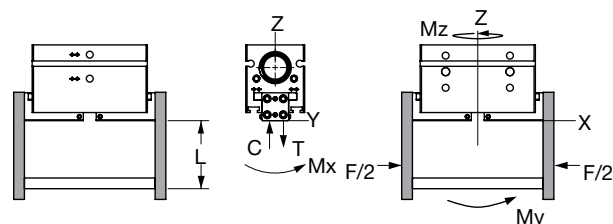


| DPG-10M-2 | Static | Dynamic |
|-------------------------------------|--------------------|------------------|
| Maximum Tensile T | 890 N [200 lbs] | 111 N [25 lbs] |
| Maximum Compressive C | 1890 N [425 lbs] | 111 N [25 lbs] |
| Maximum Moment M_x | 20 Nm [175 in-lbs] | 3 Nm [25 in-lbs] |
| Maximum Moment M_y | 23 Nm [200 in-lbs] | 4 Nm [35 in-lbs] |
| Maximum Moment M_z | 20 Nm [175 in-lbs] | 3 Nm [25 in-lbs] |

*Capacities are per set of jaws and are not simultaneous

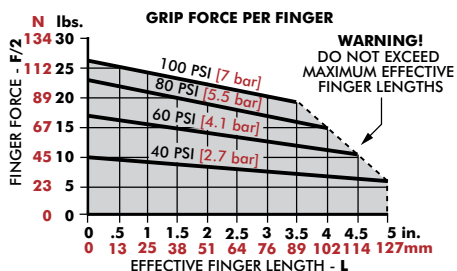


| Total Additional Grip Force | Spring Open | Spring Close |
|-----------------------------|----------------|---------------|
| @ Full Open | 26 N [6 lbs] | 66 N [15 lbs] |
| @ Full Close | 102 N [23 lbs] | 26 N [6 lbs] |

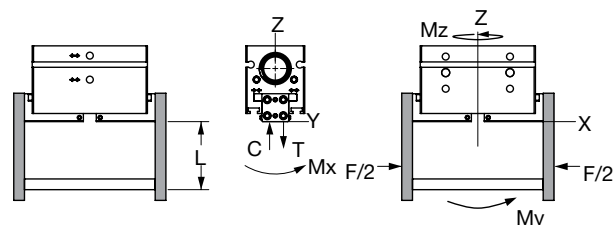


| DPG-10M-3 | Static | Dynamic |
|-------------------------------------|--------------------|------------------|
| Maximum Tensile T | 1001 N [225 lbs] | 133 N [30 lbs] |
| Maximum Compressive C | 2002 N [450 lbs] | 133 N [30 lbs] |
| Maximum Moment M_x | 23 Nm [200 in-lbs] | 3 Nm [30 in-lbs] |
| Maximum Moment M_y | 25 Nm [225 in-lbs] | 5 Nm [40 in-lbs] |
| Maximum Moment M_z | 23 Nm [200 in-lbs] | 3 Nm [30 in-lbs] |

*Capacities are per set of jaws and are not simultaneous



| Total Additional Grip Force | Spring Open | Spring Close |
|-----------------------------|---------------|---------------|
| @ Full Open | 26 N [6 lbs] | 66 N [15 lbs] |
| @ Full Close | 97 N [22 lbs] | 26 N [6 lbs] |



| DPG-10M-4 | Static | Dynamic |
|-------------------------------------|--------------------|------------------|
| Maximum Tensile T | 1112 N [250 lbs] | 156 N [35 lbs] |
| Maximum Compressive C | 2113 N [475 lbs] | 156 N [35 lbs] |
| Maximum Moment M_x | 25 Nm [225 in-lbs] | 4 Nm [35 in-lbs] |
| Maximum Moment M_y | 28 Nm [250 in-lbs] | 5 Nm [45 in-lbs] |
| Maximum Moment M_z | 25 Nm [225 in-lbs] | 4 Nm [35 in-lbs] |

*Capacities are per set of jaws and are not simultaneous